



HYDRA mate

STAINLESS STEEL CARTRIDGE FILTER HOUSING

Industrial Stainless Steel Cartridge Filter Housing
For High Flow Applications & Superior Filtration Performance

Stainless steel filter housings are designed for commercial, industrial, and community water filtration applications.

APPLICATIONS

- RO Pretreatment
- Process Water Filtration
- Cooling Tower Water
- Boiler Feed Water
- Food & Beverage
- Electronics Industry
- Chemical Process
- Wastewater Reuse

FEATURES & BENEFITS

- 304 or 316L stainless steel corrosion resistance and long service life
- Spring-loaded sealing plate assembly provides a secure fit into the cartridge core, ensuring positive cartridge sealing.
- Swing V-clamp design enables quick and easy cartridge replacement, reducing downtime.
- Knife-edge sealing at both cartridge ends minimizes bypass leakage.
- Adapters available for DOE, Cup & Post, and 222/226 cartridge configurations.
- Mounting tabs, legs & custom fittings available by special order
- Maximum Operating Pressure: 150 psi (10.3 bar) at 93°C
- Housing Material : 304 or 316L stainless steel
- Inlet/Outlet Connections: 2" BSP Thread or 3" Flanged Connection





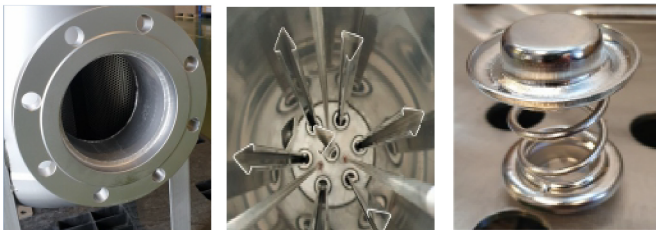
HYDRA mate

TECHNICAL SPECIFICATIONS

Housing Material	Stainless Steel SS304 / SS316L
Surface Finish	Polished Stainless Steel Finish
Cartridge Capacity	3, 5, 7, 11, 15, 19, 27 cartridges
Cartridge Length	10", 20", 30", 40"
Connection Type	2" BSP Thread or 3" Flanged Connection
Oring Material	EPDM (standard) Buna-N / Viton
Maximum Operation Pressure	150 psi (10.3 bar)
Maximum Operating Temperature	Up to 93°C
Drain Port Size	1/2" or 3/4"
Vent Port Size	1/4"
Filter Type	Multi-Cartridge Filter Housing
Application	Industrial Water & Process Filtration

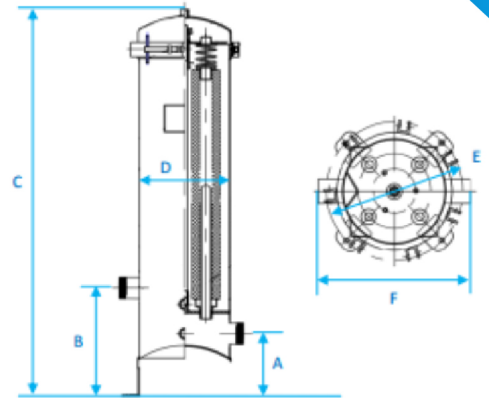
OPTIONAL

- Upstream vent port : 1/4 inch
- Drain port : 1/2 inch
- O-ring Material: EPDM (standard), Buna-N optional
- Cartridge length : 10", 20", 30", 40" filters



3 TO 7 ROUND CARTRIDGE HOUSING DIMENSIONS

MODEL	A (mm)	B (mm)	C (mm)	D (mm)	E (mm)	F (mm)	Inlet-outlet Type/Size (inch)	Drain Size (inch)
3 pcs x 10"	117	217	597	170	217	227	2"	1/2"
3 pcs x 20"	117	217	847	170	217	227	2"	1/2"
3 pcs x 30"	117	217	1097	170	217	227	2"	1/2"
3 pcs x 40"	117	217	1374	170	217	227	2"	1/2"
3 pcs x 10"	117	217	607	200	247	259	2"	1/2"
3 pcs x 20"	117	217	857	200	247	259	2"	1/2"
3 pcs x 30"	117	217	1107	200	247	259	2"	1/2"
3 pcs x 40"	117	217	1357	200	247	259	2"	1/2"
3 pcs x 10"	117	217	617	250	310	324	2"	1/2"
3 pcs x 20"	117	217	867	250	310	324	2"	1/2"
3 pcs x 30"	117	217	1117	250	310	324	2"	1/2"
3 pcs x 40"	117	217	1367	250	310	324	2"	1/2"



Model	No. of Cartridges	Cartridges Length	Connection Size/Type
-------	-------------------	-------------------	----------------------

HDM

2BSP

HDM

F03 = 3 cartridges

10 = 10"

2BSP = 2" BSP

F05 = 5 cartridges

20 = 20"

F07 = 7 cartridges

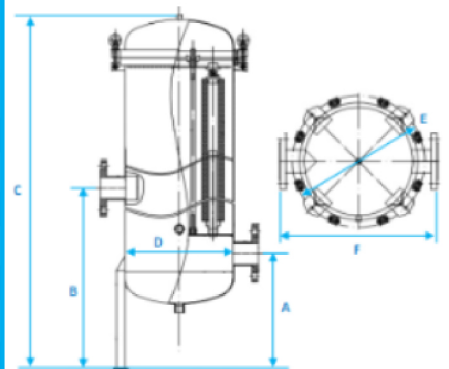
30 = 30"

40 = 40"

Example : HDM-F0740-2BSP

11 TO 27 ROUND CARTRIDGE HOUSING DIMENSIONS

MODEL	A (mm)	B (mm)	C (mm)	D (mm)	E (mm)	F (mm)	Inlet-outlet Type/Size (inch)	Drain Size (inch)
11 pcs x 30"	390	580	1380	320	420	520	3"-Flange	3/4"
11 pcs x 40"	390	780	1680	320	420	520	3"-Flange	3/4"
15 pcs x 30"	420	580	1380	350	450	550	3"-Flange	3/4"
15 pcs x 40"	420	780	1680	350	450	550	3"-Flange	3/4"
19 pcs x 30"	420	600	1380	400	500	600	3"-Flange	3/4"
19 pcs x 40"	420	800	1680	400	500	600	3"-Flange	3/4"
27 pcs x 30"	420	600	1380	450	550	650	3"-Flange	3/4"
27 pcs x 40"	420	800	1680	450	550	650	3"-Flange	3/4"



Model	No. of Cartridges	Cartridges Length	Connection Size/Type
-------	-------------------	-------------------	----------------------

HDM

3F

HDM

F011 = 11 cartridges

10 = 10"

3F = 3" Flange

F015 = 15 cartridges

20 = 20"

F019 = 19 cartridges

30 = 30"

F027 = 27 cartridges

40 = 40"

Example : HDM-F1130-3F



INNOVATEK

บริษัท อินโนวาทেক (เอเชีย) จำกัด 95 ซอยรามอินทรา 117
ถนนรามอินทราแขวงมีนบุรี เขตมีนบุรี กรุงเทพมหานคร 10510

 www.innovatekasia.com  [@Innovatekasia](https://www.facebook.com/Innovatekasia)  [@Innovatekasia](https://line.me/tv/Innovatekasia)